

# Banking and ATM Solutions

# AVE

AMERICAN VIDEO EQUIPMENT



With the increase of fraud and the need for customer security at all ATM locations, AVE offers a complete remote monitoring and retrieval system. This same high level of security can also include complete branch surveillance by recording all cameras in "real time" mode in the event of a burglary along with full ATM security offers a new level of price performance to the banking industry. All of the information can be retrieved locally or remotely by the central office.

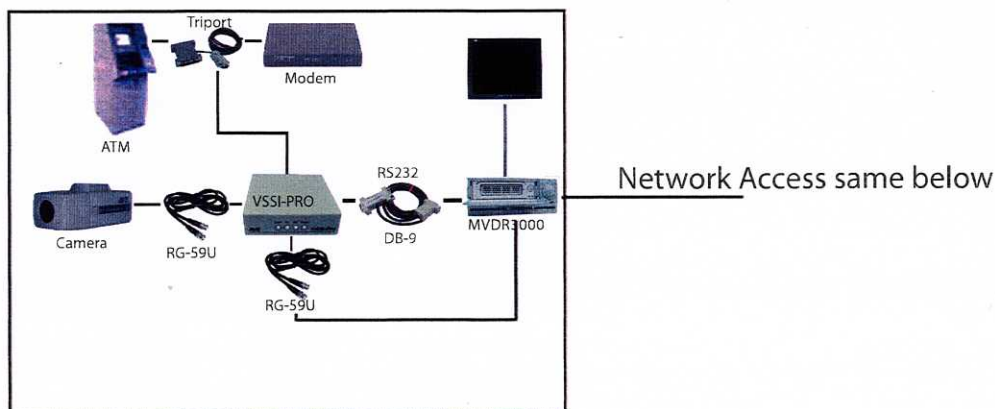


## ATM Security

The heart of the AVE ATM security system is the MVDR3000 DVR. This DVR receives the transaction data from the AVE VSSI-Pro ATM interface and stores all transactions along with the audio and video on the DVR hard disk. This DVR allows for search by any data field in the transaction such as Time/Date, Transaction Number, ATM Number or Card Number. The powerful built in Exception Processor can flag questionable transactions as they occur and instantly notify the branch manager or the central office. This is done by the remote viewer software that can remotely do any search function, playback function and capture the video remotely at the head office. The larger storage capacity of the hard disk allows the electronic journal to remain on the DVR and only download requested video and transaction clips. The MVDR3000 contains an SD Card slot in the front of the unit so the local branch manager can download video clips and playback on any computer or multimedia player or printer.

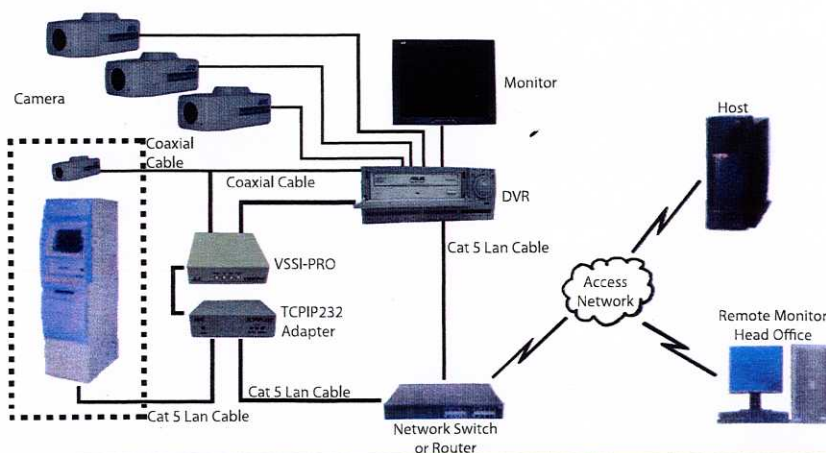
## Single Camera ATM Solution

(Picture MVDR3000 with VSSI-PRO, TCPIP232 connection with internal face view cameras. Monitor blow up of transaction data and face. Microphone on ATM.



## Up to 4 Camera ATM Solution

MVDR5000, VSSI-PRO, TCPIP232, Outside Camera, Kiosk Camera with Video Motion Detection, keypad view and internal ATM face view. Microphone on ATM.

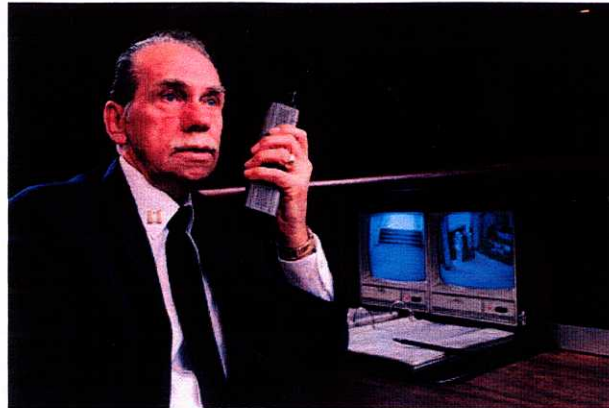






## Remote Viewer

The AVE remote viewer gives remote monitoring and search capabilities for any portion of video or direct search to Transaction number, Time/Date, Card Number, or ATM ID. This powerful software can be used at the central office for customer support of fraud detection. If desired the branch manager can use this software on their desktop for local support and branch monitoring.



### ASIA

AVE (Thailand) Co.,Ltd.  
217/4 Crystal Garden  
Soi 4 (Nanatai), Sukhumvit Road  
Klongtoey,Klongtoey  
Bangkok, 10110 Thailand  
Tel: 662-656-8231  
Fax: 662-656-9554  
Email: ave@avethailand.com  
www.avethailand.com

### NORTH AMERICA

American Video Equipmant (AVE)  
2000 W. Governors Circle, Suite E  
Houston, TX 77092  
Tel: 281-443-2300  
Fax:281-443-8915  
Email: aveus@aveusa.com  
www.americanvideoequipment.com

### WESTERN EUROPE

AVE Multiview  
Unit 1C, The Potteries,  
Woodgreen Road, Waltham Abbey  
Essex, EN9 3SA, UK  
Tel: 440-870-770-9323  
Fax: 440-870-770-9363  
Email: ave-uk@multiview.net  
www.multiview.net

